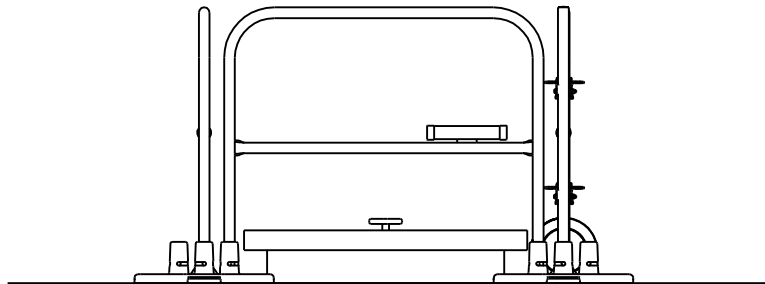
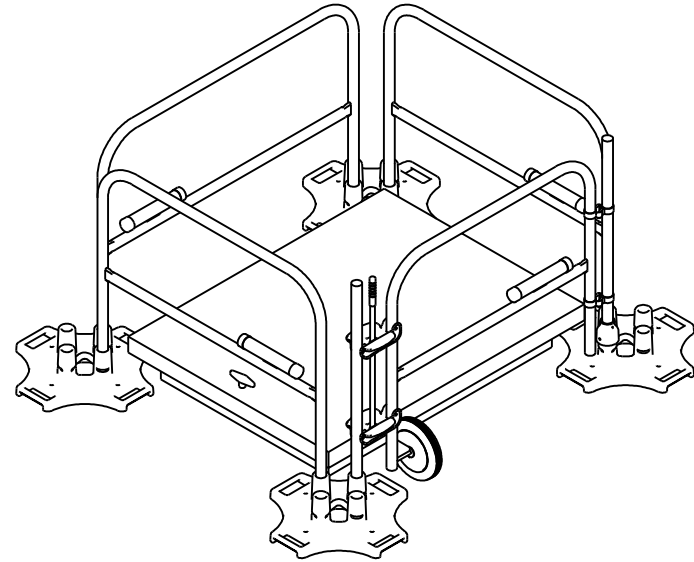
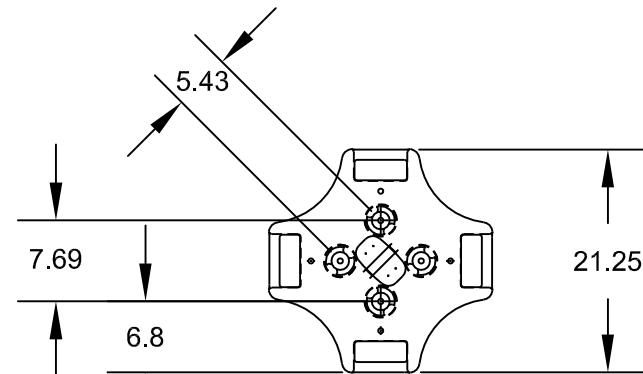


TOP VIEW



SIDE VIEW



BASE DETAIL

**THIS KIT IS DESIGNED  
FOR SIDE EXIT ROOF  
HATCHES**

**BlueWater Mfg.**  
P.O.Box 203  
7914 Kerber Blvd.  
Chanhassen, MN 55317

Tel: 952-926-0515  
Toll Free: 866-898-5237  
Fax: 952-926-0518  
info@bluewater-mfg.com  
www.safetyrail2000.com

**Roof Hatch  
Safety Rail Kit**

Dwg No.  
**500101**

Rev.  
**B**

Sheet  
**1/1**